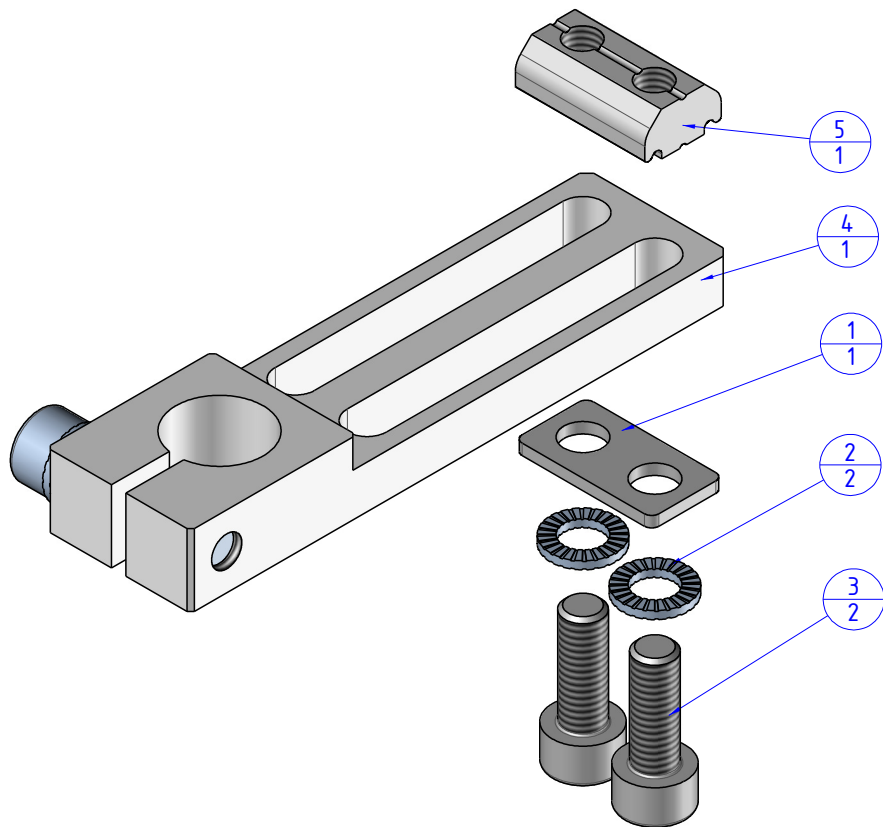
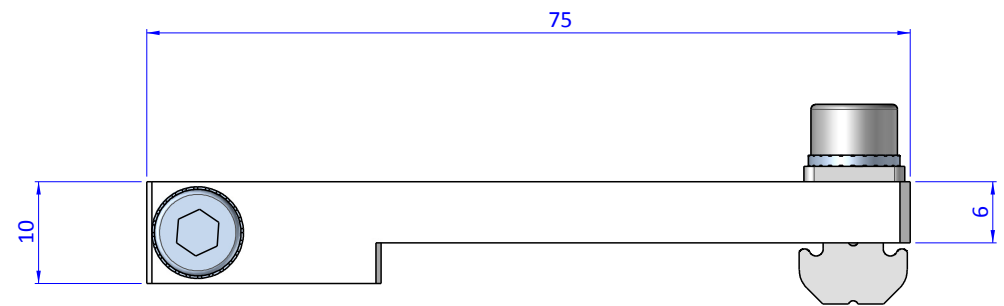
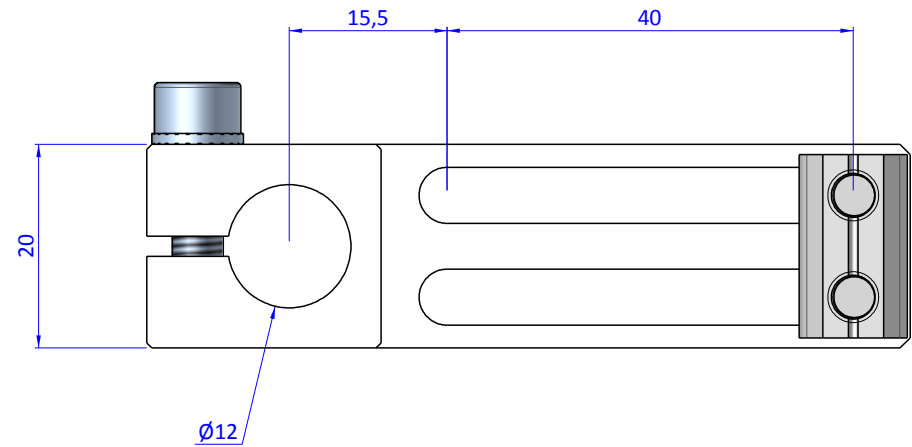


THE PROPERTY OF THE DRAWING IS ESTABLISHED BY LAW. IT IS FORBIDDEN TO PRODUCE OR SHOW IT TO THIRD PARTY WITHOUT AWRITTEN AGREEMENT.

| Item | Name | Q.ty |
|------|-------------|------|
| 1 | R.O5.10 | 1 |
| 2 | R.5.SCH | 2 |
| 3 | V.TCE5x14 | 2 |
| 4 | CA.04.02.12 | 1 |
| 5 | CA.GWP.5.10 | 1 |



Format A3
UNI 936-76

| | | | | | |
|-------------------|--|---------------|---------|---------------|--|
| | | DESIGNED FROM | | REVIEW | |
| | | FPSERVICES | | A | |
| GENERAL TOLERANCE | | DATE | WEIGHT | CODE | |
| UNI - ISO 2768 | | 30/04/2016 | 0,039kg | CA.04.02.12.X | |
| CLASSE 1 | | CA.04.02.12.X | | CA.04.02.12.X | |